

TE550

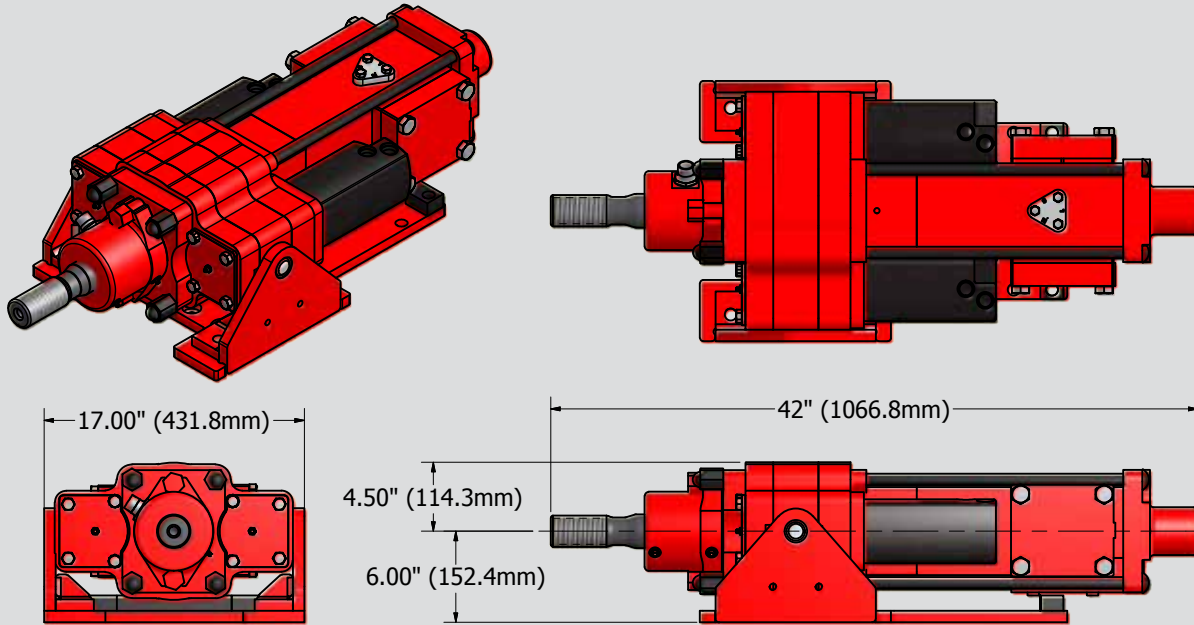
HYDRAULIC DRIFTER



TEI ROCK DRILLS

PO BOX 1309, MONTROSE, CO 81402

(800) 777-3745 • (970) 249-1515 • www.teirockdrills.com



	U.S.	Metric
Impact Energy	180-315 ft/lbs	24.4-42.7 Nm (244-427 joules)
Impact Frequency	3500-2200 BPM	3500-2200 BPM
Supply Pressure	2500 PSI	172 bar
Percussion Flow	23 GPM	87 LPM
Output Power	21.0 HP	15.7 kW
Rotation Torque	3,000 ft/lbs	400 daNm
Rotation Speed	0-250 RPM	0-250 RPM
Rotation Flow	15 GPM	57 LPM
Weight	544 Lbs	247 Kg
Shanks Available	Titan 40, Titan 52RH, Titan52LH, R38, R51, T38, T45, H55LH, H55RH	

Used on the PCF, PCFH, HCF and HCFH feed systems.

AN ADDITIONAL HYDRAULIC OIL COOLER IS RECOMMENDED FOR PRODUCTION DRILLING. SPECIFICATIONS SUBJECT TO CHANGE WITHOUT NOTICE.