

TE350

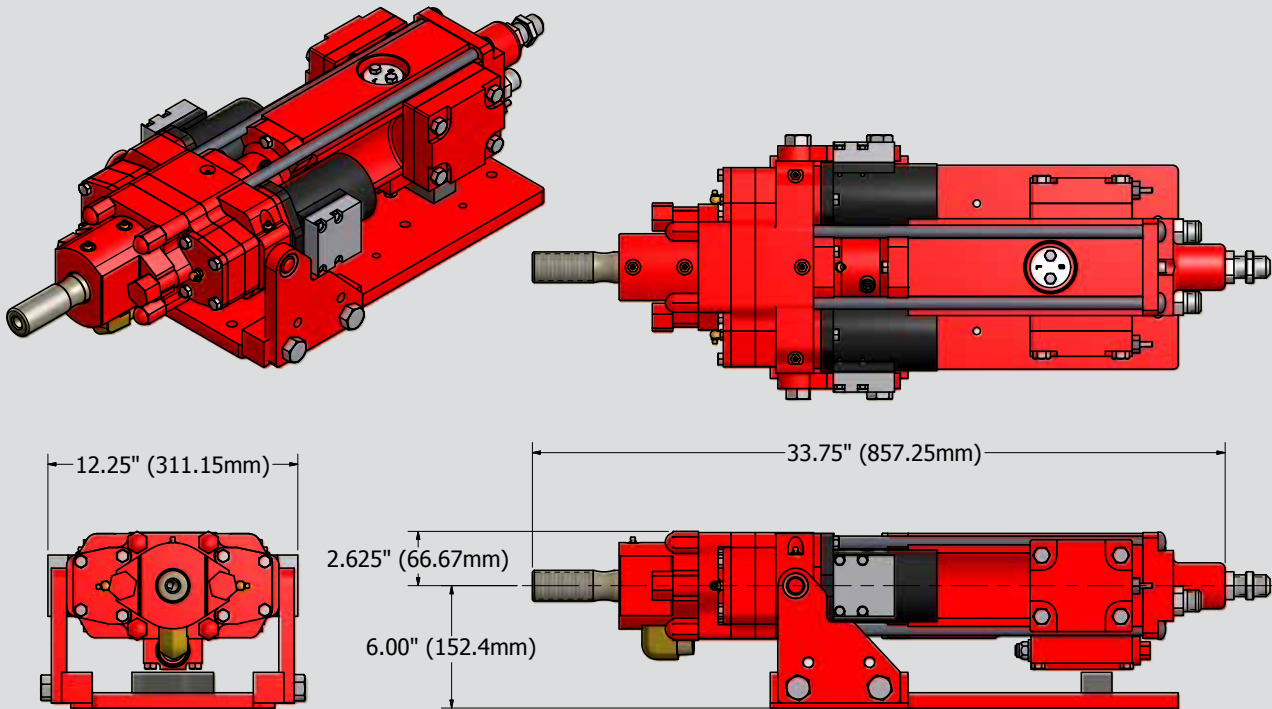
HYDRAULIC DRIFTER



TEI ROCK DRILLS

PO BOX 1309, MONTROSE, CO 81402

(800) 777-3745 • (970) 249-1515 • www.teirockdrills.com



	U.S.	Metric
Impact Energy	90-120 ft/lbs	122-163 joules
Impact Frequency	3400-4200 BPM	3400-4200 BPM
Supply Pressure	2250 PSI	155 bar
Percussion Flow	20 GPM	76 LPM
Output Power	12.4 HP	9.22 kW
Rotation Torque	1800 ft/lbs	240 daNm
Rotation Speed	Up to 250 RPM	Up to 250 RPM
Rotation Flow	10 GPM	38 LPM
Weight	210 Lbs	98 Kg
Shanks Available	1.0 Rope, 1.25 Rope, 1.50 Rope, T38, Williams 32, Williams 38, Titan 30, Titan 40	

Used on the PCF or HCF feed system.