

# **TE260**

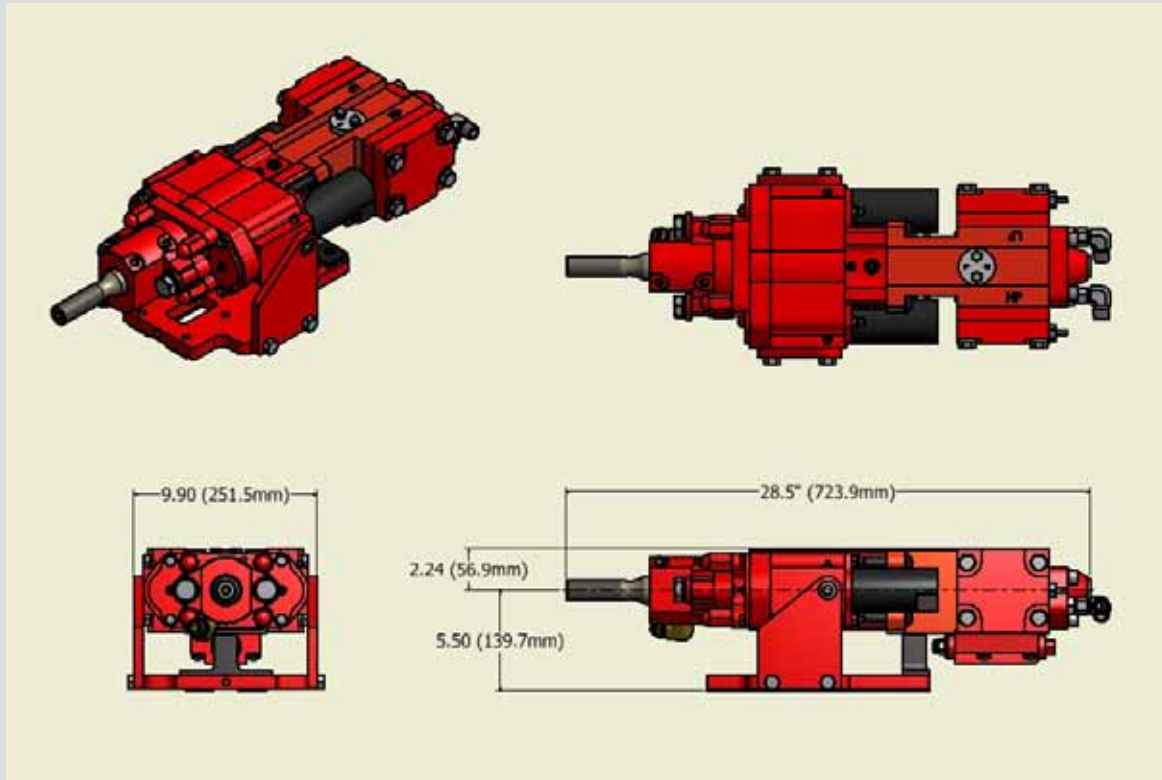
## **HYDRAULIC DRIFTER**



**TEI ROCK DRILLS**

PO BOX 1309, MONTROSE, CO 81402

(800) 777-3745 • (970) 249-1515 • [www.teirockdrills.com](http://www.teirockdrills.com)



	<b>U.S.</b>	<b>Metric</b>
Impact Energy	65-95 ft/lbs	88-129 joules
Impact Frequency	3600-5000 BPM	3600-5000 BPM
Supply Pressure	2250 PSI	155 bar
Percussion Flow	17 GPM	64 LPM
Output Power	9.85 HP	7.35 kW
Rotation Torque	200 ft/lbs	27 daNm
Rotation Speed	Up to 250 RPM	Up to 250 RPM
Rotation Flow	5 GPM	19 LPM
Weight	144 Lbs	65 Kg
Shanks Available	1.0 Rope, 1.25 Rope, 1.50 Rope, T38, Williams 32, Williams 38, Titan 30, Titan 40	