

MME

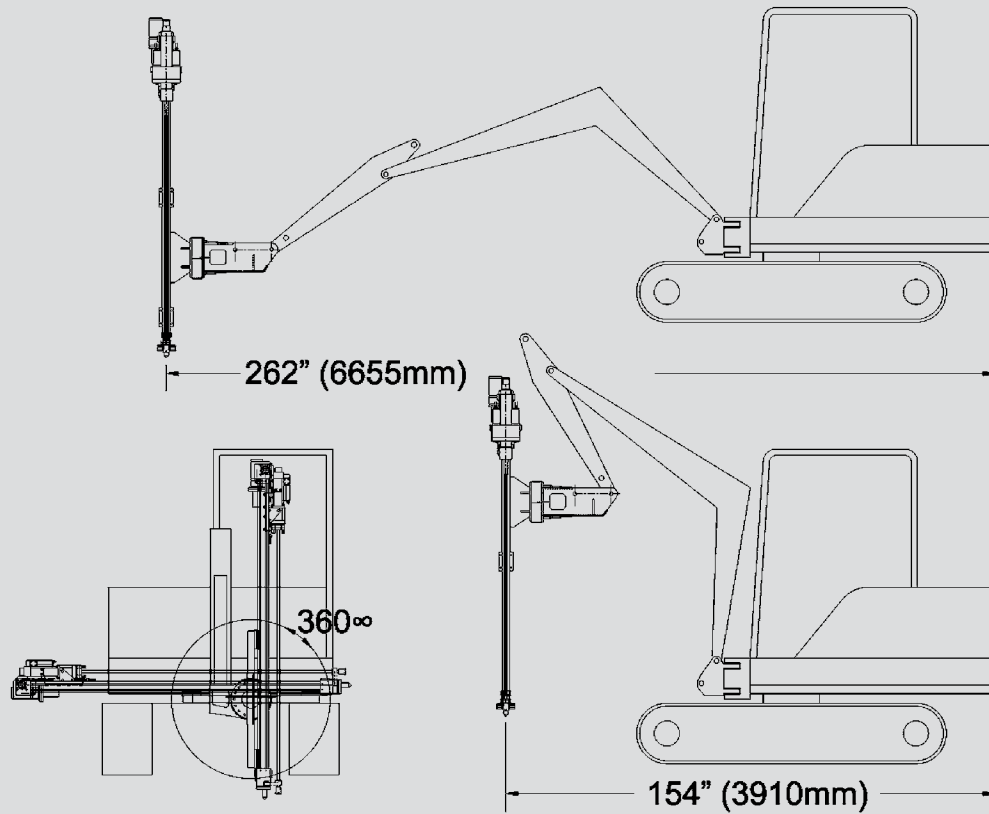
MINI-DRILL SERIES



TEI ROCK DRILLS

PO BOX 1309, MONTROSE, CO 81402

(800) 777-3745 • (970) 249-1515 • www.teirockdrills.com



MME DRILL TOOL WITH ACF10 FEED

	U.S.	Metric
MME260 System Flow and Pressure	25 GPM @ 2250 PSI	95 LPM @ 155 BAR
MME250R System Flow and Pressure	18 GPM @ 2500 PSI	69 LPM @ 172 BAR
MME260 Hole Size	1.375" to 2.0"	35mm to 52mm
MME250R Hole Size	2.75" to 4.0"	70mm to 102mm
ACF10 Drill Length	13.5 feet	4.1 meters
ACF10 Travel	10.5 feet	3.2 meters
ACF10 Pullback	1500 lbs.	680 kgs.
Approximate Drill Tool Weight	1080 lbs.	488 kgs.
Minimum Excavator Size: 5 TONS		

ALL ATTACHMENT CARRIERS MUST BE PLUMBED WITH LOW PRESSURE RETURN AUXILIARY HYDRAULICS. AN ADDITIONAL HYDRAULIC OIL COOLER IS RECOMMENDED FOR PRODUCTION DRILLING. SPECIFICATIONS SUBJECT TO CHANGE WITHOUT NOTICE.



MME 260 IN HAWAII



MME JB FACE DRILL FOR TUNNELING

The **MME** series of drilling attachments came from the demand for smaller and more efficient drilling equipment in the construction and mining industries. This attachment is available using either the TE260 hydraulic drifter or the RDS250 hydraulic rotary head. Today's contractor will find many uses for the MME including blasting, fencing, foundation repair, earth retention and geothermal heating and cooling. All products are manufactured at our factory located in Montrose, Colorado, USA.

MME POSITIONING





MME260 UNDERGROUND



MME RADIO CONTROLS



MME INSTALLING HOLLOW BARS



MME RADIO IN CAB